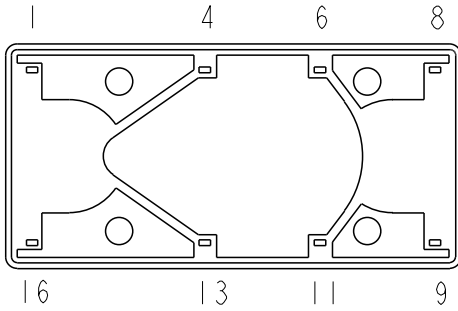
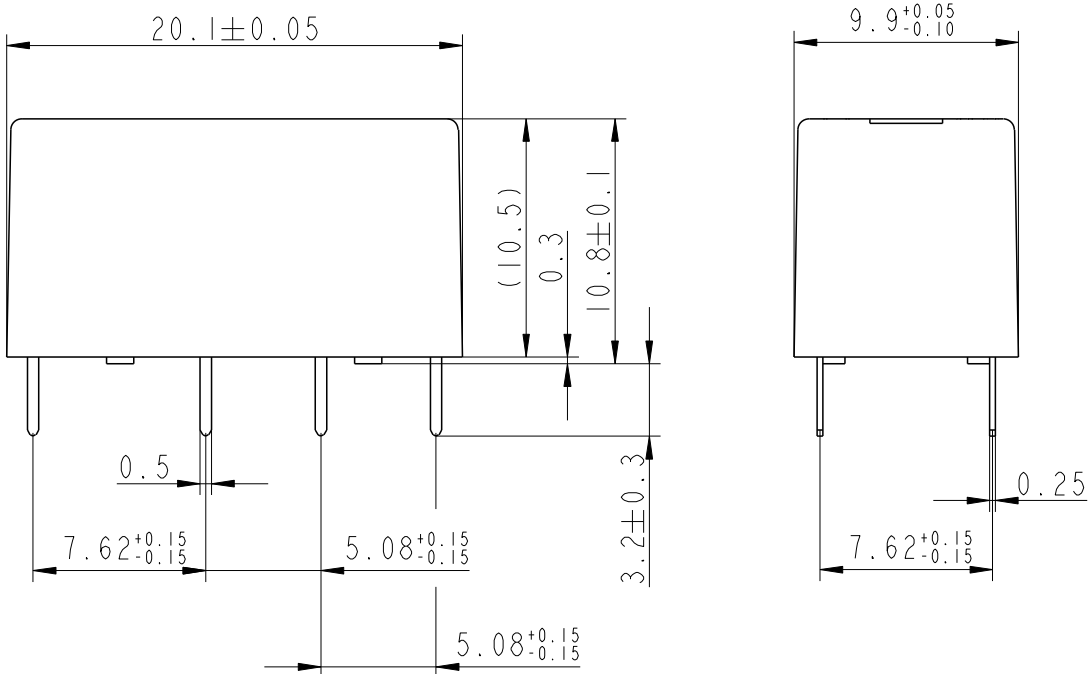


LOC	DIST	REVISIONS					
		P	LTR	DESCRIPTION	DATE	DWN	APVD
HJ	-		A7	Revised relay dimensions	06Sep2012	MV	PH
			A8	ECR-15-002263	29Jan2015	MV	PH



Relay - bottom view



xxx = Relay type
zz = nominal voltage
YYWW = Date code

alias C23303-A105-A1-*-27

RELEASED FOR PUBLICATION

THIS DRAWING IS UNPUBLISHED.

© COPYRIGHT BY TYCO-ELECTRONICS CORPORATION. ALL RIGHTS RESERVED.

DIMENSIONS: mm	DWN	05May2004	MATERIAL	-	FINISH	-
	MV10189					
TOLERANCES UNLESS OTHERWISE SPECIFIED: DIN 7168-m	CHK	05May2004	NAME D2n Relays Dimensions			
	HD9121					
0 PLC ±- 1 PLC ± 2 PLC ± 3 PLC ± 4 PLC ± ANGLES ±	APVD	05May2004	SIZE	A4	DRAWING NO	C-1393792-2
	HD9121		CAGE CODE	00779	RESTRICTED TO	-
WEIGHT	PRODUCT SPEC	-	SCALE 3:1 SHEET 1 OF 1 REV A8			
	APPLICATION SPEC	-	CUSTOMER DRAWING			